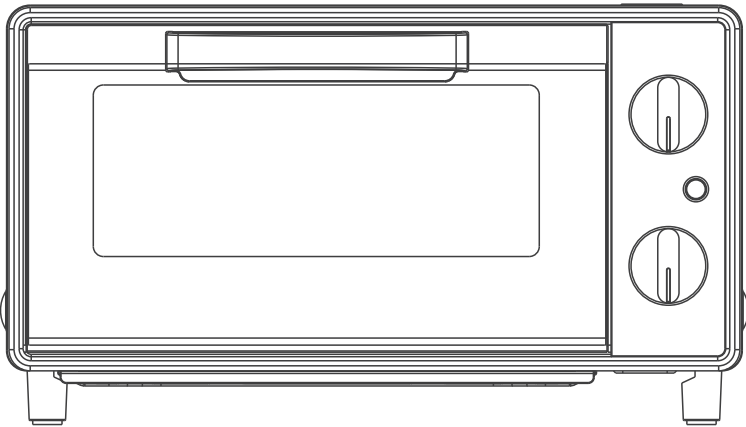


Comfee

Toaster Oven



Instruction Manual

Model: CO-B08AA(BK)



IMPORTANT NOTE: For your safety and continued enjoyment of this product, always read the instruction book carefully before using.

DIRECTORY

IMPORTANT SAFETY INSTRUCTIONS.....	EN-3
SHORT CORD INSTRUCTION	EN-6
BEFORE FIRST USE	EN-7
NAME OF PARTS.....	EN-8
CONTROL SETTINGS	EN-9
HOW TO USE	EN-10
CARE AND CLEANING	EN-10
SPECIFICATIONS	EN-11

**IMPORTANT SAFETY INSTRUCTIONS READ CAREFULLY AND
KEEP FOR FUTURE REFERENCE.**

If you follow the instructions, your oven will provide you with many years of good service.

SAVE THESE INSTRUCTIONS CAREFULLY.

IMPORTANT SAFEGUARDS

When using electrical appliances, basic safety precautions should always be followed including the following :

1. Read all instructions.
2. Do not touch hot surfaces. Use handles or knobs.
3. To protect against electrical shock do not immerse cord, plugs, or main body of appliance in water or other liquid.
4. Close supervision is necessary when any appliance is used by or near children.
5. Unplug from outlet when not in use and before cleaning. Allow to cool before putting on or taking off parts.
6. Do not operate any appliance with a damaged cord or plug or after the appliance malfunctions or has been damaged in any manner. Return appliance to the nearest authorized service facility for examination, repair, or adjustment.
7. The use of accessory attachments not recommended by the appliance manufacturer may cause injuries.
8. Do not use outdoors.
9. Do not let cord hang over edge of table or counter, or touch hot surfaces.
10. Do not place on or near a hot gas or electric burner, or in a heated oven.
11. Extreme caution must be used when moving an appliance containing hot oil or other hot liquids.
12. Always attach plug to appliance first, then plug cord into the wall outlet. To disconnect, turn any control to " off ", then remove plug from wall outlet.
13. Do not use appliance for other than intended use.
14. Use extreme caution when removing tray or disposing of hot grease.

15. Do not clean with metal scouring pads. Pieces can break off the pad and touch electrical parts, creating parts, creating a risk of electric shock.
16. Oversize foods or metal utensils must not be inserted in a toaster-oven as they may create a fire or risk of electric shock.
17. A fire may occur if the toaster-oven is covered or touching flammable material, including curtains, draperies, walls, and the like, when in operation. Do not store any item on top of the appliance when in operation.
18. Extreme caution should be exercised when using containers constructed of other than metal or glass.
19. Do not store any materials, other than manufacturers recommended accessories, in this oven when not in use.
20. Do not place any of the following materials in the oven: (that is, paper, cardboard, plastic, and the like).
21. Do not cover crumb tray or any part of the oven with metal foil. This will cause overheating of the oven.
22. This appliance has a polarized plug (one blade is wider than the other). To reduce the risk of electric shock, this plug is intended to fit into a polarized outlet only one way. If the plug does not fit fully into the outlet, reverse the plug. If it still does not fit, contact a qualified electrician. Do not attempt to modify the plug in any way.
23. Remove plug from outlet when the appliance is not in use, before putting on or taking off parts, and before cleaning. Allow to cool before handling.
24. Avoid contacting moving parts.
25. For household use only.
26. During operation, rotate the time knob to "OFF" can stop cooking.

27. Extension Cord:

- a) A short power-supply cord is provided to reduce the risk resulting from becoming entangled in or tripping over a longer cord.
 - b) Extension cords are available and may be used if care is exercised in their use.
 - c) The marked electrical rating of the extension cord should be at least as great as the electrical rating of the appliance;
 - d) The cord should be arranged so that it will not drape over the countertop or tabletop where it can be pulled on by children or tripped over unintentionally;
28. Pressing the power button at any time during the cooking process will shut down the Unit causing display to go dark immediately and running light to go dark within 20 seconds. The fan will continue running for 20 seconds to cool down the unit.
29. Oversize foods or metal utensils must not be inserted in a toaster-oven as they may create a fire or risk of electric shock.
30. A fire may occur if the toaster-oven is covered or touching flammable material, including curtains, draperies, walls, and the like, when in operation. Do not store any item on top of the appliance when in operation.
31. Do not clean with metal scouring pads. Pieces can break off the pad and touch electrical parts involving a risk of electric shock.
32. Extreme caution should be exercised when using containers constructed of other than metal or glass.
33. Do not store any materials, other than manufacturers recommended accessories, in this oven when not in use.
34. Do not cover crumb tray or any part of the oven with metal foil. This will cause overheating of the oven.

SAVE THESE INSTRUCTIONS

SHORT CORD INSTRUCTION (DETACHABLE POWER-SUPPLY CORD)

1. A short power-supply cord (or detachable power-supply cord) should be used to reduce the risk resulting from becoming entangled in or tripping over a longer cord.
2. Longer detachable power-supply cords or extension cords are available and may be used if care is exercised in their use.
3. If a longer detachable power-supply cord or extension cord is used:
 - The marked electrical rating of the cord set or extension cord should be at least as great as the electrical rating of the appliance.
 - The cord should be arranged so that it will not drape over the countertop or tabletop where it can be pulled on by children or tripped over unintentionally.
 - If the appliance is of the grounded type, the extension cord should be a grounding-type 3-wire cord.

BEFORE FIRST USE

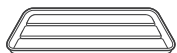
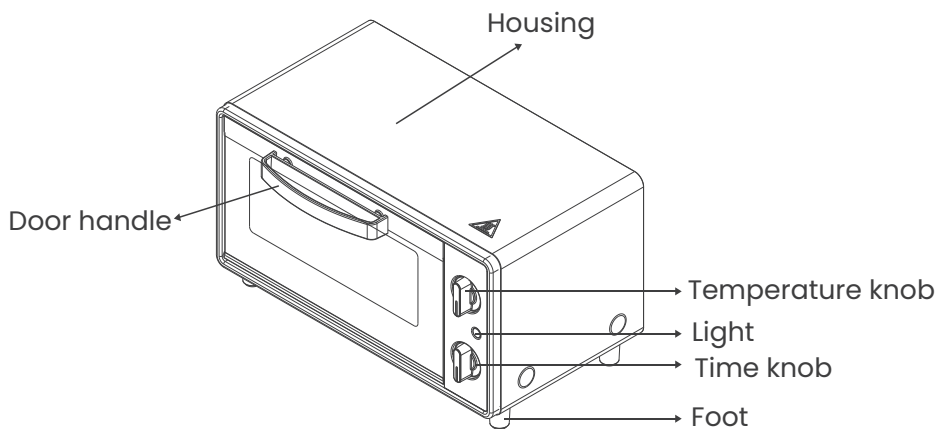
1. Remove all accessories and packing materials before operating the oven.
2. Wash the grill tray in warm soapy water. Wipe the inside of the oven with a damp cloth or sponge. Blot dry with paper towels to be sure the unit is dry before using it.
3. Place oven on a flat counter or other stable surface. **DO NOT OPERATE ON THE SAME CIRCUIT WITH ANOTHER APPLIANCE.**
4. Make sure the crumb tray is properly installed before using it.
5. Before working, place the crumb tray under the bottom heating pipes. For the first time only, set the temperature knob to MAX, the function setting on toast and the timer to 15 minutes. This will burn off any oils still on the oven.



NOTE

The oven may smoke during this process. This is normal for a new oven and will not last more than 10-15 minutes.

NAME OF PARTS



Grill tray



Crumb tray

CONTROL SETTINGS

TIME SETTING

0-60 MINUTES: The timer can be set up to 60 minutes. The oven will not turn on without the timer being set. When the Time knob choose "OFF" position, the oven will not operate.

To set the time, turn the knob clockwise to the desired time.

When the Timer has reached the "OFF" position, a bell sound will be heard. Power supply will be cut off

ADJUSTING TIME

Timer can be change during cooking cycle. Just turn the timer knob to the desired time and continue cooking.



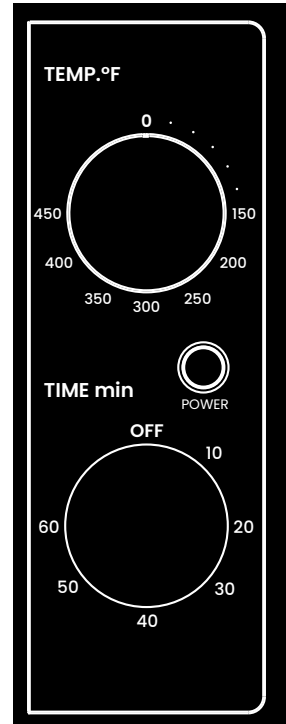
NOTE

To select the cooking time, first rotate the time knob more than 90 degrees, and then turn the switch back to the time you require.

TEMPERATURE SETTING

Turn the upper tube or lower tube temperature knob clockwise to the desired temperature setting.

The Temperature can be set from 150°F to 450°F.



HOW TO USE



CAUTION

THE OVEN SURFACES ARE HOT DURING AND AFTER USE

GENERAL INSTRUCTIONS

1. Place the grill tray in position that will accommodate the height of the food to be cooked.
2. The food must be put into the grill tray to avoid the fire danger that caused by the accumulation of food chipping on the heating pipes.
3. Make sure that you always use an ovenproof container in the oven, never use plastic or cardboard containers in the oven.
4. Clean the heating pipe periodically.
5. Never use glass or ceramic pans or lids.
6. DO NOT let juice run to the bottom of the oven. Use the crumb tray when cooking.
7. Set the temperature as suggested by the recipe or as desired.
8. Securely shut the door and set the cooking time to begin operating the oven.

CARE AND CLEANING

1. Before cleaning, unplug the oven and allow it to cool completely.
2. Wash all the attachments with mild, soaped water including the grill tray.
3. Do not use abrasive cleansers, scrubbing brushes and chemical cleaner as these will cause damage to the non-stick coating of grill tray.
4. Using a wet cloth to wipe the inner of the oven.
5. To clean the door by using a wet cloth saturated with detergent or soap.
6. Never immerse the unit in water or other liquid.
7. Any other servicing should be performed by an authorized service representative.

SPECIFICATIONS

Content	Parameter
Model	CO-B08AA(BK)
Rated Voltage:	120V~ 60Hz
POWER:	1000W
Product Size (LxWxH)	14.33*9.29*7.68 inch / 364*236*195 mm
Gross Weight	8.2 lbs / 3.72 Kgs

comfee'