

**comfee**  
*...is how I drink!*



CKE17L1EHAGT

# 1.7L Electric Kettle

## Instruction Manual




**IMPORTANT NOTE:** For your safety and continued enjoyment of this product, always read the instruction Manual carefully before using.

## **CONTENT**

IMPORTANT SAFEGUARDS.....	1
PARTS AND FEATURES.....	4
FUNCTION MENU.....	4
TECHNICAL SPECIFICATIONS.....	5
HOW TO USE.....	5
OPERATING INSTRUCTIONS.....	6
CLEANING AND MAINTENANCE.....	8
TROUBLESHOOTING.....	8
SERVICE AND SUPPORT.....	9

**IMPORTANT NOTE:** Please read the manual carefully before operating your product. Retain it for future reference.



## **IMPORTANT SAFEGUARDS**

When using electrical appliances, basic safety precautions should always be followed, including the following:

- Read all instructions.
- Do not touch hot surfaces. Use handles or knobs.
- To protect against fire, electric shock and injury to persons, do not immerse cord, plugs, base or kettle in water or other liquid.
- Never leave the appliance unattended when in use. Close supervision is necessary when any appliance is used by or near children.
- Unplug from outlet when not in use, no water in kettle, filling water, moving kettle and before cleaning. Allow to cool before putting on or taking off parts, and before cleaning the appliance.
- Do not operate any appliance with a damaged cord or plug or after the appliance malfunctions, or has been damaged in any manner. Call our toll-free Customer Assistance Number for examination, repair or adjustment.
- Do not use a base unit other than the one supplied. The use of accessory attachments not recommended by the appliance manufacturer may result in fire, electric shock or injury to persons.
- Do not use outdoors.
- Do not let cord hang over edge of table or counter, or touch hot surfaces. Always store excess portion of the power cord in the compartment of the base unit.
- Electric kettle must be operated on a flat surface. Do not place on or near a hot gas or electric burner, or in a heated oven, or on the top of other electric appliances.
- plug cord into the wall outlet. To disconnect, turn control to off, then remove plug from wall outlet.
- Do not use appliance for other than intended use.
- To avoid circuit overload, do not operate another high wattage appliance on the same circuit.

## IMPORTANT SAFEGUARDS

- Do not fill kettle when positioned on base. Dry the water on the bottom of the body before placing it onto the power base.
- Be aware of steam being emitted from spout or lid especially during refilling. Do not remove lid during boiling cycle.
- Do not use the kettle to heat anything other than water.
- Do not fill above the "MAX" indication marking. Do not operate kettle if water is below the "MIN" indication marking. Do not overfill to prevent the risk of spillage. The kettle is only to be used with the base unit provided.
- Do not insert any object into slots or holes of the kettle.
- Open the lid with the release button only. Push lid down to lock in place.
- Scalding may occur if the lid is removed during the brewing cycles.
- This appliance is for HOUSEHOLD USE ONLY.  
DO NOT OPERATE APPLIANCE IF THE LINE CORD SHOWS ANY DAMAGE OR IF APPLIANCE WORKS INTERMITTENTLY OR STOPS WORKING ENTIRELY.
- Keep the kettle out of the reach of children. Do not leave children unsupervised with the kettle.
- This appliance should not be used by persons (including children) with reduced physical, sensory or mental capabilities, or lack of experience and knowledge, unless they have are supervised by the person who is responsible for their safety.
- Children should be supervised to ensure that they do not play with the appliance.

## IMPORTANT SAFEGUARDS

- This appliance is intended to be used in household and similar applications such as:
  - Staff kitchen areas in shops, offices and other working environments;
  - by clients in temporary accommodations;
- If the supply cord is damaged, disconnect from the power supply and contact the manufacturer. Do Not attempt to repair this unit.
- Warning: Avoid spillage on the connector.
- If there is damage of any kind or if the kettle is not operating properly, stop using the kettle and unplug it immediately.

## SAVE THESE INSTRUCTIONS.

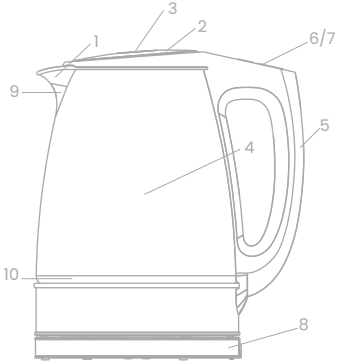
**Warning: Misuse may cause potential injury. The heating element surface is subject to residual heat after use.**



The appliance must not be disposed of with regular household waste. At the end of its service life, the appliance must be properly delivered to a collection point for the recycling of electrical and electronic equipment. By collecting and recycling of old appliances, you are making an important contribution to the conservation of our natural resources and provide for environmentally sound and healthy disposal.

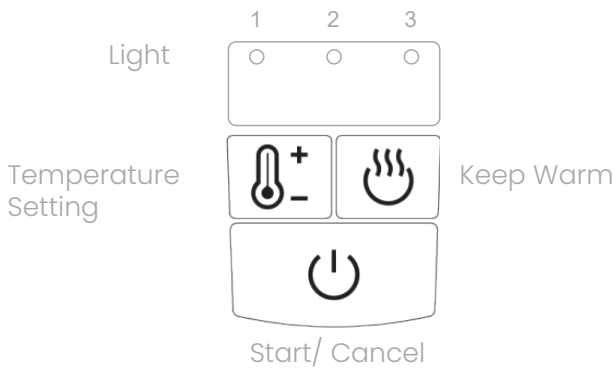
## PARTS AND FEATURES

(The picture of the instruction is for reference only)



No.	Parts
1	Dripless Pour Spout with Splash Guard
2	Easy-Open Lid
3	Lid Release Button
4	Water Tank
5	Stay-Cool Handle
6	Digital display
7	Preset Temperature Controls with Indicators
8	Power Base with 360° Swivel
9	Removable Filter
10	Heater indication light

## FUNCTION MENU



## TECHNICAL SPECIFICATIONS

Model No.	Rated voltage	Rated power	Capacity	Dimensions
CKE17L1EHAGT	120V~ 60Hz	1500W	1.7L	210*161*242mm

## HOW TO USE

For first time use or use after an extended period, it is recommended that you fill to the maximum level mark(MAX) with fresh tap water, boil and empty the kettle at least 2 times to clear kettle of any tiny particles. Do not drink such water.

- Press the lid-opening button on the center of lid to open it.
- Remove the kettle from the base and take to the filling place. Fill the kettle with desired amount (no less than the minimum(MIN) and no more than the maximum (MAX). Close the lid; place the kettle back on the base unit.
- Connect the plug into a power outlet (120V, AC), switch the kettle on by pressing the Button. The heater indicator light will illuminate to indicate the kettle is heating.
- The kettle will automatically switch off once the water or the water reaches the desired temperature and the heater indicator light goes off.
- Lift the kettle from the base, and you can pour out the hot water.

## OPERATING INSTRUCTIONS

The unit is powered on by placing the kettle on the base. The display will then show all LEDs for 2 seconds, a beep will sound, and the water temperature will be displayed.

**ONE BUTTON BOILING:** Press the START/CANCEL button. A beep will sound, and the target temperature of 212°F will display along with LED 1. The display will flash, beep twice, and heating will begin. The blue light under the glass carafe indicates that the unit is heating. The current temperature of the water will be displayed. Once the target temperature of 212°F is reached, the unit will beep three times, and then the heat will turn off. The unit will enter standby mode, displaying the current temperature of the water.

**HEATING TO A SELECTED TEMPERATURE AND TURN OFF (LED 1):** Press the KEEP WARM button until LED 1 is illuminated. The target temperature will display along with LED 1. Press the TEMPERATURE SETTING button repeatedly until the desired target temperature is displayed. Select from one of the preset temperatures: 160°, 175°, 185°, 190°, 200°, 212°F. Press the START/CANCEL button. The display will flash, beep twice, and heating will begin. The blue light under the glass carafe indicates that the unit is heating. The current temperature of the water will be displayed. Once the target temperature is reached, the unit will beep three times, and then the heating will turn off. The unit will enter standby mode, displaying the current temperature of the water.

**HEATING TO A SELECTED TEMPERATURE AND MAINTAIN THE TEMPERATURE (LEDs 1 and 2)** Press the KEEP WARM button until LEDs 1 and 2 are illuminated. The target temperature will display along with LEDs 1 and 2. Press the TEMPERATURE SETTING button repeatedly until the desired target temperature is displayed. Select from one of the following preset temperatures: 160°, 175°, 185°, 190°, or 200°F. Note that boiling temperature (212°F) is not a target temperature option in this mode. Press the START/CANCEL button. The display will flash, beep twice, and heating will begin.



## OPERATING INSTRUCTIONS

The blue light under the glass carafe indicates that the unit is heating. The current temperature of the water will be displayed. Once the target temperature is reached, the unit will beep three times, and the heating will turn off. In this mode, the heater will briefly turn back on automatically to maintain the target temperature of the water for one hour.

**HEATING TO BOILING AND MAINTAIN A LOWER TARGET TEMPERATURE (LEDs 1, 2, and 3)** Press the KEEP WARM button until LEDs 1, 2, and 3 are illuminated. The target temperature will display along with LEDs 1, 2, and 3. Press the TEMPERATURE SETTING button repeatedly until the desired target temperature is displayed. Select from one of the following preset temperatures: 160, 175, 185, 190, or 200°F. Note that boiling temperature (212°F) is not a target temperature option in this mode. Press the START/CANCEL button. The display will flash, beep twice, and heating will begin. The blue light under the glass carafe indicates that the unit is heating. The current temperature of the water will be displayed. The unit will heat until the boiling temperature of 212°F, the unit will beep three times, and then heating will turn off. In this mode, the heater will briefly turn back on automatically to maintain the target temperature of the water for one hour.

## CLEANING AND MAINTENANCE

### Note

- To extend the life of your kettle, please clean the mineral deposits in the kettle regularly.
- Unplug your kettle and allow it to cool before cleaning.
- Wipe the kettle and base of unit with a soft, damp cloth. Be sure that the electric kettle socket is kept dry. Dry all parts after every use.
- Never immerse kettle or power base in water.
- Removable Scale Filter This kettle has a scale filter inside for clean water. The filter can be removed by grasping it and pulling upward. Run under hot water and rub with a clean cloth or brush.
- Fill the kettle with 0.5L white vinegar and the remainder with water and allow to stand for over 1 hours ;
- Empty the solution from the kettle. Wipe off the deposits remained with damp cloth
- Fill the kettle with clean water, bring to boil and then discard the water. Repeat the process and the kettle will be ready to use;
- If necessary, repeat the operations above for several times;
- The surface of the kettle may be wiped over with a damp cloth and polished with a soft dry cloth.

## TROUBLESHOOTING

Problem	Cause	Solution
No display and lights are on	The power supply is not connected	Reattach the plug to the power socket, make sure the kettle is plugged in and is stably placed on the base.
Kettle is not heating water	User did not press "Start" button	Make sure the "Start" button is pressed after setting the temperature; If "Start" button is pressed and kettle is still not working, please contact Comfee' customer service
Keep warm function is not working	Wrong function mode is selected	Make sure Keep Warm modes are selected (Refer to OPERATION/HEATING section)
Error code (E1-E7) showing on display	Control failure	Contact Comfee' customer service immediately and Do not try to fix the kettle by yourself

## **SERVICE AND SUPPORT**

### **1 YEAR LIMITED WARRANTY**

This is the only express warranty for this product and is in lieu of any other warranty or condition. This product is warranted to be free from defects in material and workmanship for a period of one (1) year from the date of original purchase. During this period, your exclusive remedy is repair or replacement of this product or any component found to be defective, at our option; however, you are responsible for all costs associated with returning the product to us and our returning the product or component under this warranty to you. If the product or component is no longer available, we will replace with a similar one of equal or greater value.

This warranty does not cover wear from normal use, and operation doesn't conform with the instruction manuals, or damages to the product resulting from accident, alteration, abuse, or misuse. This warranty extends only to the original consumer purchaser or gift recipient. Keep the original sales receipt, as proof of purchase is required to make a warranty claim. This warranty is void if products is used for other than single-family household use or subjected to any voltage and waveform other than as specified on the label.

We exclude all claims for special, incidental, and consequential damages by breach of express or implied warranty. All liability is limited to amount of the purchase price. Every implied warranty, including any statutory warranty or condition of merchant-ability or fitness for particular purpose, is disclaimed except to the extent prohibited by law, in which case such warranty or condition is limited to the duration of this written warranty.

This warranty gives you specific legal rights. You may have other legal rights that vary depending on where you live. Some states or provinces do not allow limitations on implied warranties or special, incidental consequential damages, so the foregoing limitations may not apply to you. Please note that failure to complete and submit this form does not diminish your warranty



In the Event of a warranty period claim, question, comments or if service is required for this product, please contact us at the following:

Customer Service Management Office:  
Parsippany, NJ 07054  
Toll Free: 1-866-646-4332

Amazon Store:

<https://www.amazon.com/comfee>

Tel: 866-646-4332

E-mail: [officialservice@comfeeappliance.com](mailto:officialservice@comfeeappliance.com)

Made in China