

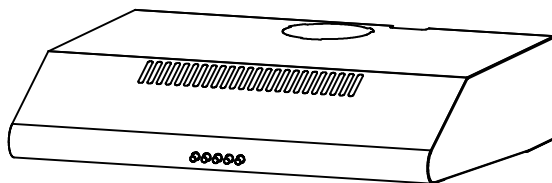
# Comfee

en

## USER MANUAL

### Range Hood

Power supply: 120V  
Rated power: 51.5W  
Frequency: 60Hz



**Free 3 months extension** of the original limited warranty period!\* Simply text a picture of your proof of purchase to:

**1-844-224-1614**

\*The warranty extension is for the three months immediately following the completion of the product's original warranty period.

MODEL NUMBER CVU30W4ABB  
CVU36W4ABB

## ⚠️ INTENDED FOR RESIDENTIAL COOKING USE ONLY ⚠️

### ⚠️ WARNING

WARNING alerts you to situations that may cause serious body harm, death or property damage.

### ⚠️ CAUTION

CAUTION indicates a potentially hazardous situation which, if not avoided, may result in minor or moderate injury.

### 🔑 IMPORTANT

IMPORTANT indicates installation, operation, maintenance or valuable information that is not hazard related.

### ⚠️ WARNING

**TO REDUCE THE RISK OF FIRE, ELECTRIC SHOCK OR INJURY TO PERSONS, OBSERVE THE FOLLOWING:**

1. Use this unit only in the manner intended by the manufacturer. If you have questions, contact the manufacturer at the address or telephone number listed in the warranty.
2. Before servicing or cleaning unit, unplug and switch power off at service panel and lock service disconnecting means to prevent power from being switched on accidentally. When the service disconnecting means cannot be locked, securely fasten a prominent warning device, such as a tag, to the service panel.
3. Installation work and electrical wiring must be done by qualified personnel in accordance with all applicable codes and standards, including fire-rated construction codes and standards.
4. Sufficient air is needed for proper combustion and exhausting of gases through the flue (chimney) of fuel burning equipment to prevent backdrafting. Follow the heating equipment manufacturer's guidelines and safety standards such as those published by the National Fire Protection Association (NFPA) and the American Society for Heating, Refrigeration and Air Conditioning Engineers (ASHRAE) and the local code authorities.
5. When cutting or drilling into wall or ceiling, do not damage electrical wiring and other hidden utilities.
6. Ducted fans must always be vented to the outdoors.
7. Do not use this unit with any solid-state speed control device.
8. **TO REDUCE THE RISK OF FIRE, USE ONLY METAL DUCTWORK.**
9. This unit must be grounded. This appliance is equipped with a cord having a grounding wire with a grounding plug. The plug must be plugged into an outlet that is properly installed and grounded.
10. Do not use an extension cord. If the power supply cord is too short, have a qualified electrician install an outlet near the appliance.
11. When applicable local regulations comprise more restrictive installation and/or certification requirements, the aforementioned requirements prevail on those of this document and the installer agrees to conform to these at his own expense.

**TO REDUCE THE RISK OF A RANGE TOP GREASE FIRE:**

- a) Never leave surface units unattended at high settings. Boilovers cause smoking and greasy spillovers that may ignite. Heat oils slowly on low or medium settings.
- b) Always turn hood ON when cooking at high heat or when flaming food (i.e.: Crêpes Suzette, Cherries Jubilee, Peppercorn Beef Flambé).
- c) Clean ventilating fans frequently. Grease should not be allowed to accumulate on fan, filters or in exhaust ducts.
- d) Use proper pan size. Always use cookware appropriate for the size of the surface element.

### ⚠️ WARNING

**TO REDUCE THE RISK OF INJURY TO PERSONS IN THE EVENT OF A RANGE TOP GREASE FIRE, OBSERVE THE FOLLOWING\*:**

1. **SMOTHER FLAMES** with a close-fitting lid, cookie sheet or metal tray, then turn off the burner. **BE CAREFUL TO PREVENT BURNS. IF THE FLAMES DO NOT GO OUT IMMEDIATELY, EVACUATE AND CALL THE FIRE DEPARTMENT.**
2. **NEVER PICK UP A FLAMING PAN** — You may be burned.
3. **DO NOT USE WATER**, including wet dishcloths or towels — This could cause a violent steam explosion.
4. Use an extinguisher **ONLY** if:
  - A. You own a Class ABC extinguisher and you know how to operate it.
  - B. The fire is small and contained in the area where it started.
  - C. The fire department has been called.
  - D. You can fight the fire with your back to an exit.
5. Based on "Kitchen Fire Safety Tips" published by NFPA.

### ⚠️ CAUTION

1. For indoor use only.
2. For general ventilating use only. Do not use to exhaust hazardous or explosive materials and vapors.
3. To avoid motor bearing damage and noisy and/or unbalanced impeller, keep drywall spray, construction dust, etc. off power unit.
4. Install the vent hood in a location away from strong drafts, such as windows, door, and strong HVAC vent for best performance
5. The minimum hood distance above cooktop must not be less than 25-5/8". For best capture of cooking impurities, the bottom of the hood should be at a maximum of 29-1/2" above cooking surface.
6. Two installers are recommended because of the large size and weight of this unit.
7. To reduce the risk of fire and to properly exhaust air, be sure to duct air outside — Do not exhaust air into spaces within walls or ceiling or into attics, crawl space or garage.
8. Because of the high exhausting capacity of this unit, you should make sure enough air is entering the house to replace exhausted air by opening a window close to or in the kitchen.
9. Always leave safety grills and filters in place. Without these components, operating blowers could catch onto hair, fingers and loose clothing.
10. The vent hood and filters should be cleaned frequently.

**SAVE THESE INSTRUCTIONS**

# MAIN PARAMETERS

Rated Voltage and Frequency

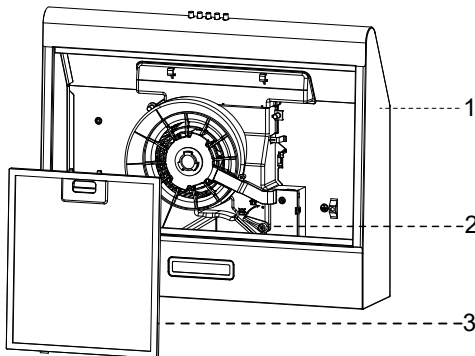
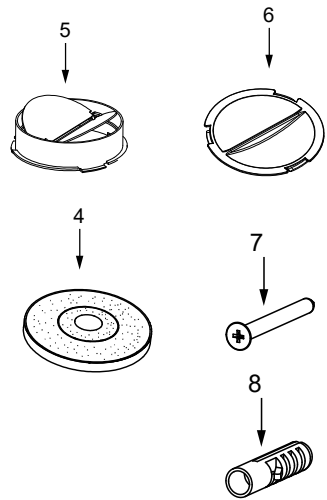
120V~ 60Hz , Motor Input Power: 50W

In certain circumstances electrical appliance may be a danger hazard.

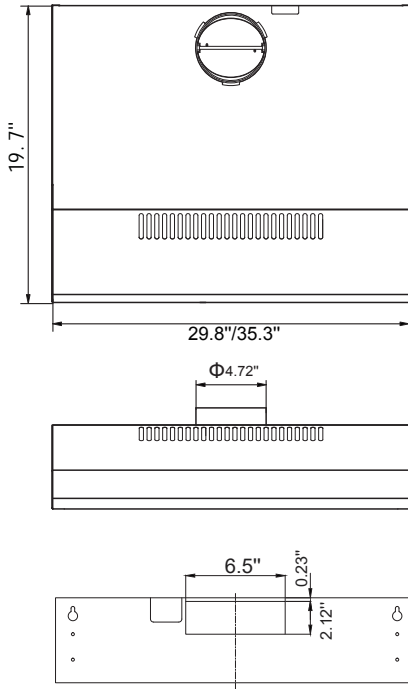
# COMPONENTS

Ref.	Qty.	Product Components
1	1	Main Body
2	1	Venting Knob
3	2	Grease filter (30")
	3	Grease filter (36")

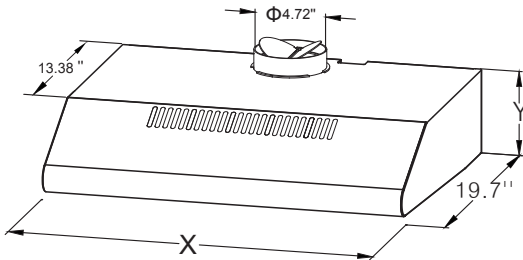
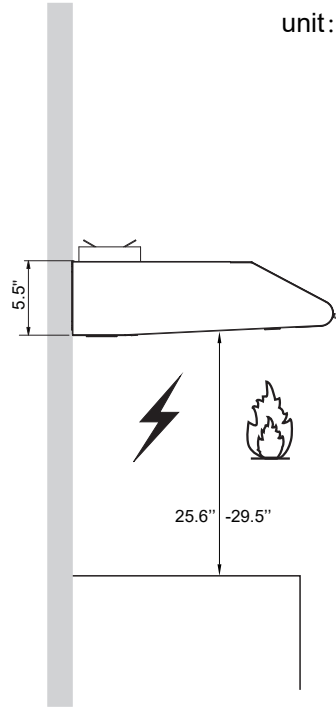
Ref.	Qty.	Installation Components
4	1	Carbon Filter (12173000000039)
5	1	Check Valve
6	1	Air Outlet Cap
7	4	Screws M5 x 1.97"
8	4	Plastic Wall Plugs



# DIMENSIONS



unit: inch



	CVU30W4ABB	CVU36W4ABB
X	29.8"	35.3"
Y	5.5"	5.5"

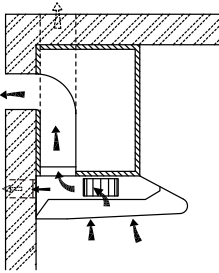
# INSTALLATION

## WALL DRILLING AND BRACKET FIXING

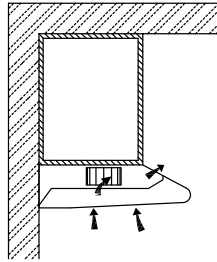
- Please read the instructions carefully.
- Unpack the canopy and check that all functions are working. Ensure that the voltage (V) and the frequency (Hz) indicated on the serial plate match the voltage and frequency at the installation site.

- Check that the area behind the installation surface to be drilled is clear of any electrical cables or pipes, etc.
- The stainless steel and glass surfaces of the canopy are very easily damaged during installation if grazed or knocked by tools. Please take care to protect the surfaces during installation.
- Protect the cooktop surface below, to prevent damage occurring while the wall canopy is being installed above.
- The manufacturer shall not be liable for failure to observe all safety regulations for the correct and normal operation of electrical parts.

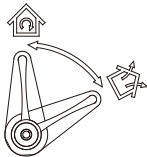
### Choose a venting mode:



Extraction-air (out door) venting option



Recirculation Venting option

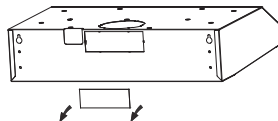
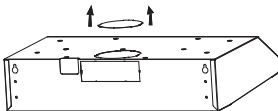


Venting knob position

	Extraction-air mode: Turn the venting knob here means venting outside
	Circulating-air mode: Turn the venting knob here means recirculation

### Information

- Sufficient air is needed for proper combustion and exhausting of gases through the flue (chimney) of fuel burning equipment to prevent back drafting. Ductless fans must always be vented to the outdoors.
- When assessing the air pressure, the entire ventilation system in the house/apartment must be taken into account, e.g. hob and/or gas cooker, this rule does not apply.
- Government regulations must be observed for the conveyance of exhaust air. If the extractor hood is used in circulating air mode with activated carbon filter, there are no operating restrictions.
- If you choose extraction-air mode, there are two methods for ventilation, including 'horizontal ventilation' and 'vertical ventilation'. Please take out the cover before using and install check valve in the hole.
- The square air check valve for horizontal ventilation is not supplied.



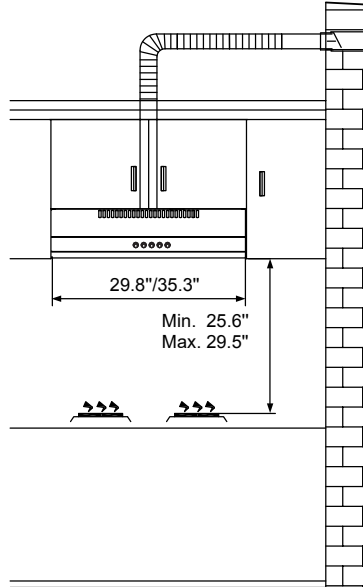
## Prepare the installation:

Ensure the power has been turned off before beginning this installation. Electrical outlet must be located in an area that the power cord/plug can easily get routed to and plugged into.

To install this hood you will require two assistants. You will need following tools and material to complete this installation.

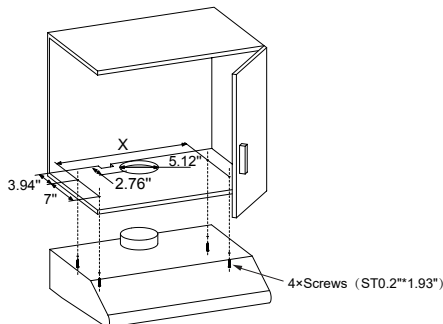
Tools you will need:

- Drill appropriate to your wall
- Phillips Screwdriver
- Tape Measure
- Hand Saw or Jig Saw
- Installation work and electrical wiring must be done by qualified person(s) in accordance with all applicable codes and standards, including fire rated construction.
- Do not discharge the exhaust air into a flue from other appliances burning gas or other fuels.
- Regulations concerning the discharge of air have to be fulfilled.
- The cooker hood must be placed at a minimum distance of 25.6" above the cooking surface of a hob.
- The cooker hood must be placed at a maximum distance of 29.5" above the cooking surface of a hob.



## CUPBOARD MOUNTING INSTALLATION

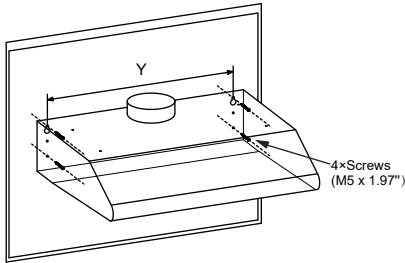
- **ATTENTION:** If your cooker hood works at circulating-air mode, it is not necessary to drill 5.12" diameter hole. Drill a 5.12" diameter, four 0.14" diameter hole and a square hole match your plug with the vent hole on the top of the cooker hood in the middle as below picture.
- **Warning:** Failure to install the screws or fixing device in accordance with these instructions may result in electrical hazards.
- Use the 4 screws to fix the cooker hood to a kitchen cupboard. Check that your fixings are correctly located, by temporarily fitting the cooker hood. If correct, fit the unit into position.
- Tighten the screws if necessary.



Use consumer model	X
CVU30W4ABB	25"
CVU36W4ABB	27.4"

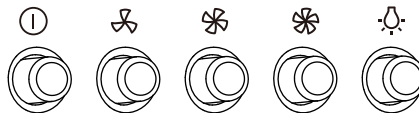
## WALL MOUNTING INSTALLATION

- To mount on the wall, drill two 3.94" diameter holes 26.6" or 27.4" (depending on model. See drawing and table below.)with the vent hole on the top of the cooker hood in the middle as below picture. Make sure the hood is aligned directly over the hob.
- Insert two plastics wall plugs(supplied) into the holes.
- Insert two screws into the upper two plastic wall plugs and tighten them leaving 1.18" protruding from the wall.
- Mount the cooker hood onto the two screws and mark the bottom two screw positions.
- Remove the hood and drill the bottom two screw holes and Insert the plastic wall plugs.
- Mount the hood on the top screws, Insert the bottom screws and fully tighten all the screws.



Use consumer model	Y
CVU30W4ABB	26.6"
CVU36W4ABB	27.4"

## OPERATION

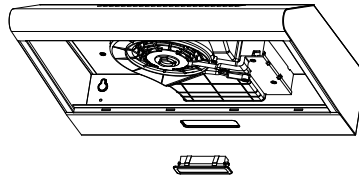
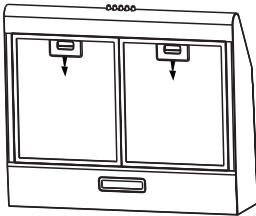



①	OFF MOTOR SWITCH: Press on this switch to stop the motor operation.
☪	SPEED SWITCH: Press on this switch, the motor runs at LOW speed.
☪	SPEED SWITCH: Press on this switch, the motor runs at MEDIUM speed.
☪	SPEED SWITCH: Press on this switch, the motor runs at HIGH speed.
💡	ON/OFF LIGHTING SWITCH: Press on this switch to turn on the lights, and press again to turn them off.

# LIGHTING

## LIGHT REPLACEMENT

- Disconnect range hood from power supply
- Remove the grease filter.
- Remove the light by pushing it out from the hood body (this may require pressure or force to be applied).
- Disconnect the connector of the light.
- Replace the light (17473000A00465) with a new one of the same type, making sure that you connect the light with the light cable correctly.
- Reconnect range hood to power supply.



	Max power	Voltage	Picture	Lamp Cap	ILCOS D code
LED modules, separate ballast	1.5W	120V	 Square/Diameter:33.2mmx120mm 17473000A00465		DSH-1.5-S-33.2/120

## CLEANING AND MAINTENANCE

Disconnect range hood from power supply before cleaning or servicing.

- Cleaning the surface of hood frequently. Use mild soap or detergent to clean the hood.
- Do not use harsh alkalis or abrasives.
- Avoid the use of scouring powders or dishwasher compounds.
- Grease filter may be washed using mild soap or detergent. (Heavy grease build-up may not be cleaned easily and the filter may require replacement).
- Charcoal filter cannot be cleaned and must be replaced regularly.

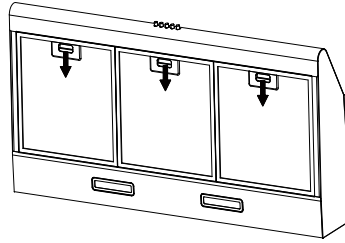
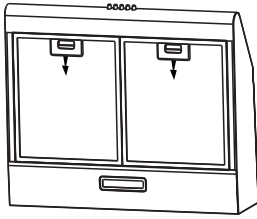
### Information

Cleaning water must not enter into motor, control switch etc. electrical parts.

It is recommended to clean the metallic filter every three months by carrying out the following instruction:

- Remove the metallic filter from the cooker hood and wash it in a solution of water and neutral liquid detergent, leaving to soak.
- Rinse thoroughly with warm water and leave to dry.
- The metallic filter may alter in color after several washes. This is not cause for customer complaint or replacement of metallic filter.



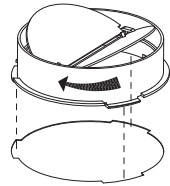


## Information

There is a fire risk if cleaning is not carried out in accordance with the instructions.

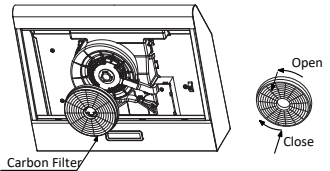
## CHECK VALVE INSTALLATION

Align check valve tabs with corresponding cut outs in hood. Push down and turn check valve clockwise until it locks in place.



## INSTALLING THE CARBON FILTER

- Remove the grease filter
- The charcoal filter is located over the motor. Turn the filter counter clockwise to remove.
- Replace a new carbon filter, apply reverse procedure for re installation.



**Warning:** the carbon filter cannot be washed or recycled. It should be replaced after approximately 2-3 months of use..

**Remark:** Carbon filter is not supplied with your appliance. The service part number of carbon filter is 12173000000039.

## DISPOSAL OF OLD ELECTRICAL APPLIANCES



The European directive 2012/19/EU on Waste Electrical and Electronic Equipment (WEEE), requires that old household electrical appliances must not be disposed of in the normal unsorted municipal waste stream. Old appliances must be collected separately in order to optimize the recovery and recycling of the materials they contain, and reduce the impact on human health and the environment.

The crossed out "wheeled bin" symbol on the product reminds you of your obligation, that when you dispose of the appliance, it must be separately collected.

Consumers should contact their local authority or retailer for information concerning the correct disposal of their old appliance.

## TROUBLE SHOOTING

Fault	Cause	Solution
Light on, but motor does not work	The blades are blocked.	Disconnect power supply before checking blades for obstruction.
	The capacitor is damaged.	Call Customer Support.
	The motor is damaged.	Call Customer Support.
	The internal wiring of motor is cut off/ disconnected. An unpleasant smell may be produced. Disconnect power supply.	Call Customer Support.
Both light and motor do not work	Apart from the above mentioned, check the following:	
	Light damaged.	Replace lights.
	Power cord loose.	Check power supply and house electrical outlets.
Vibration	The blade, if damaged, can cause vibrating.	Call Customer Support.
	The motor is not tightly fastened.	Call Customer Support.
	The cooker hood is not tightly fixed.	Check installation.
Insufficient suction	The distance between the cooker hood and the cooker top is too large.	Readjust the distance: see requirements for minimum and max distance on page 7.
	Too much ventilation from open doors or windows.	Choose a new place to install the appliance or close some doors / windows.
The machine is not level.	The screws securing the hood into the cabinet are not tight enough.	Tighten the screws securing the hood into the cabinet and make it horizontal.
	The screws securing the hood to the rear wall are not tight enough.	Tighten the screws securing the hood to the rear wall and make it horizontal.



## 1 YEAR LIMITED WARRANTY

This is the only express warranty for this product and is in lieu of any other warranty or condition.

This product is warranted to be free from defects in material and workmanship for a period of one (1) year from the date of original purchase. During this period, your exclusive remedy is repair or replacement of this product or any component found to be defective, at our option; however, you are responsible for all costs associated with returning the product to us and our returning the product or component under this warranty to you. If the product or component is no longer available, we will replace with a similar one of equal or greater value.

This warranty does not cover wear from normal use or operation that does not comply with the instruction manual or damages to the product resulting from accident, alteration, abuse, or misuse. This warranty extends only to the original consumer purchaser or gift recipient. Keep the original sales receipt, as proof of purchase is required to make a warranty claim. This warranty is void if product is used for other than single-family household use or subjected to any voltage and waveform other than as specified on the label. Delivery and installation damage is not covered under warranty.

We exclude all claims for special, incidental, and consequential damages by breach of express or implied warranty. All liability is limited to amount of the purchase price. Every implied warranty, including any statutory warranty or condition of merchantability or fitness for particular purpose, is disclaimed except to the extent prohibited by law, in which case such warranty or condition is limited to the duration of this written warranty.

This warranty gives you specific legal rights. You may have other legal rights that vary depending on where you live. Some states or provinces do not allow limitations on implied warranties or special, incidental consequential damages, so the foregoing limitations may not apply to you.

### **Customer Service:**

Phone: 866-646-4332

The manufacturer shall decline all responsibility if the foregoing recommendations and instruction regarding installation, maintenance and use are not observed and respected when using the cooker hood.