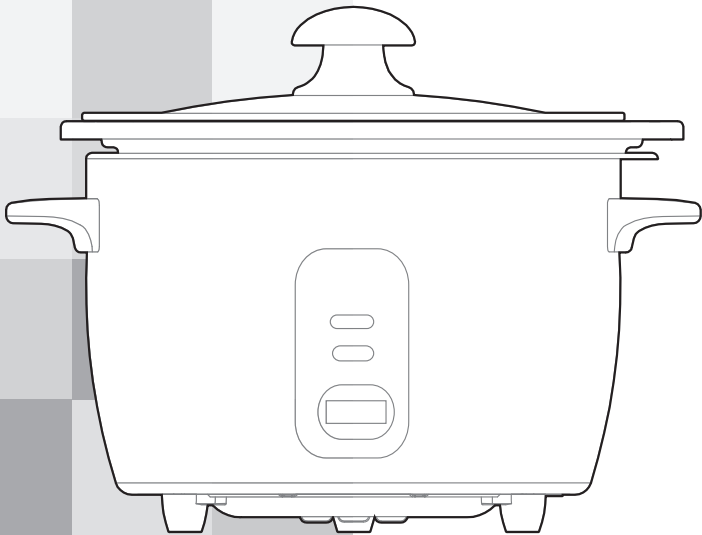


Comfee

RICE COOKER

User Manual

CRM15L1BPW



IMPORTANT NOTE: For your safety and continued enjoyment of this product, always read the instruction manual carefully before using.

CONTENT

IMPORTANT SAFEGUARDS	1
PARTS AND COMPONENTS	3
TECHNICAL DATA OF THE PRODUCT	4
OPERATION INSTRUCTIONS	5
CLEANING AND MAINTENANCE	7
TROUBLESHOOTING	8
SERVICE AND SUPPORT	9

IMPORTANT SAFEGUARDS

READ ALL INSTRUCTIONS BEFORE USING YOUR RICE COOKER.

When using any electrical appliances, basic safety precautions should be followed including the following:

- Read all instructions.
- Do not touch hot surfaces. Use the handles or knobs
- Supervision is necessary when any electrical appliance is used by or near children.
- Disconnect from the outlet when not in use and before cleaning. Allow to cool before putting on or removing parts.
- Do not operate any electrical appliance with a damaged cord or plug, or after it has malfunctioned or has been damaged in any manner. Return appliance to the nearest authorized service center for examination, repair or adjustment.
- The use of accessories attachments not recommended by the manufacturer may can cause injuries.
- Replace the power cord with the manufacturer when it is damaged.
- Do not let the cord hang over the table or counter, or touch hot surfaces.
- Do not place on or near an electric or gas burner, or in a heated oven.
- Extreme caution must be taken when moving an appliance containing hot oil or other hot liquids.
- Always connect the plug to the appliance first, and then plug it into the wall outlet.

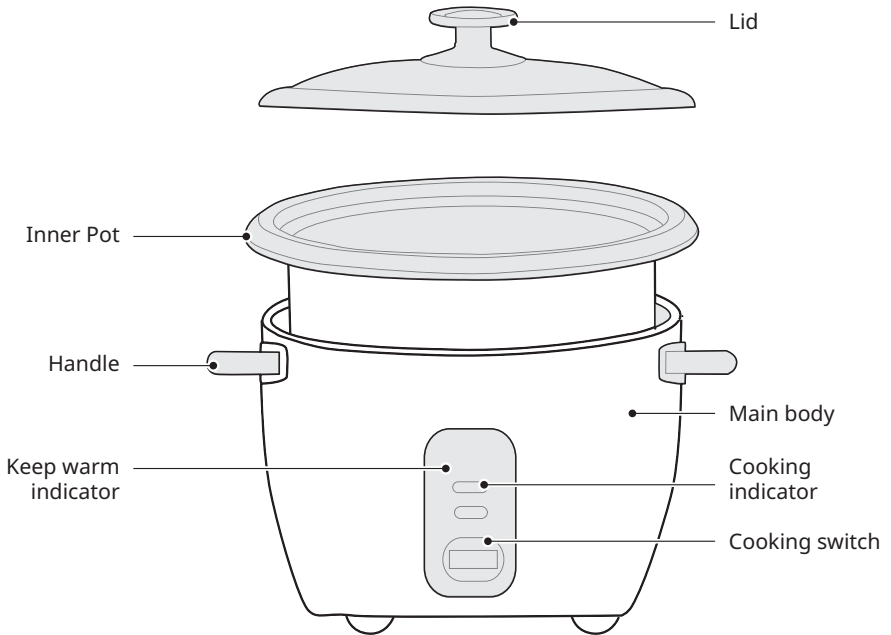
IMPORTANT SAFEGUARDS

- Do not use the appliance for other than intended use. To protect against electrical shock do not immerse cord, plugs, or appliance in water or other liquid.
- Do not use outdoors.
- Do Not Immerse In Water.
- Caution : To Reduce The Risk Of Electric Shock, Cook Only In Removable Container
- This appliance has a polarized plug (one blade is wider than the other). To reduce the risk of electric shock, this plug is intended to fit into a polarized outlet only one way. If the plug does not fit fully into the outlet, reverse the plug. If it still does not fit, contact a qualified electrician. Do not attempt to modify the plug in any way.

HOUSEHOLD USE ONLY
SAVE THESE INSTRUCTIONS

PARTS AND COMPONENTS

COMPONENT NAME



PART LIST



Spoon



Measuring Cup

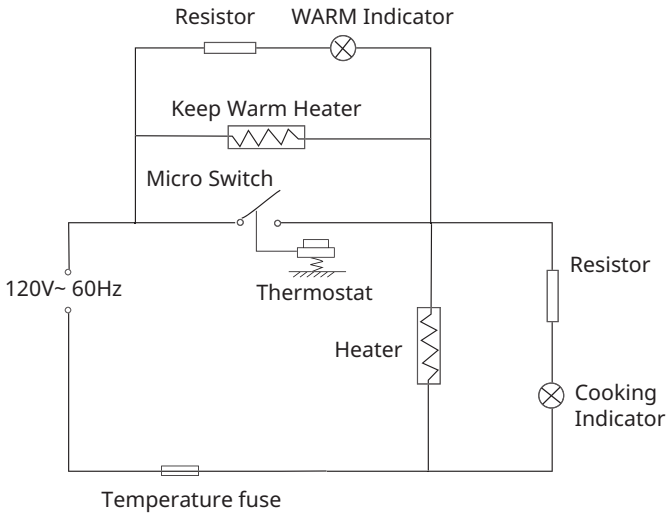
NOTE

Do not plug in your rice cooker until you have completely assembled it per the following instructions and are familiar with all instructions and operating procedures.

TECHNICAL DATA OF THE PRODUCT

Product Model	Voltage	Frequency	Power	Capacity
CRM15L1BPW	120V~	60Hz	350W	1.5L

WIRING DIAGRAM



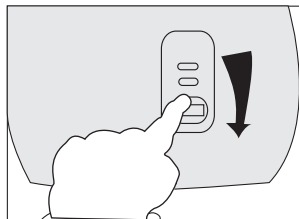
NOTE

All the drawings in this manual are for functional reference only. There are differences in the physical products due to different product types and batches.

OPERATION INSTRUCTIONS

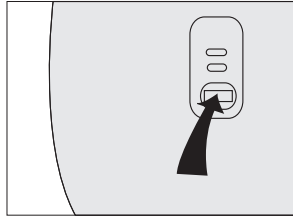
COOKING RICE

1. Measure the desired amount of rice with the measuring cup included. Rinse the rice several times until the water in the bowl shows relatively clear.
 - One cup of rice weight 0.16 L.
 - DO NOT wash the rice in the cooking pot. If the pot is used to wash rice, the fluorine resin coating may be damaged, or the bottom may be deformed, which will result in poor conduction because it contacts with heating plate improperly.
2. Put the rice in the cooking pot and add water to the level which corresponds to the measure of rice used.
 - The line in the pot is the water line. The right line corresponds to liters of water, the left line corresponds to the cup markings for rice.
 - The water line in the pot is a standard, it can be adjusted according to your preferences.
 - Add an extra cup of water when cooking 3 cups of surasiático rice to obtain the best performance.
 - NEVER add water above the maximum level.
3. Dry the water from the outside pot, install the pot into the cooker, turn it slightly from left to right, ensure that the pot contacts with the heating plate properly, level the rice inside the pot.
4. Press down "Cooking" switch. The rice cooker will start cooking. The "Cooking" indicator light will turn on after connecting to an electrical outlet.
You must push down the "Cooking" switch to start cooking.
If the switch is not pushed, the "Keep Warm" indicator will light up after 1 -2 minutes, and the cooker will be in keep warm function.



OPERATION INSTRUCTIONS

5. At the end of cooking, the "Cooking" switch will pop up and a click will be heard. At the same time, the cooking indicator will turn off and the keep warm indicator will go on.
- After the cooking cycle ends, keep the lid closed for about 15 minutes. This allows the rice to be fully cooked and steamed, making it more fluffy and tasty.
 - After the rice is steamed, be sure to open the outer lid and stir the rice well. The cooked rice can be served immediately or kept warm automatically.



7. Disconnect before serving.
8. Only use the spoon included. Do not use a metal spoon, to avoid scratching the anti-stick coating.

CLEANING AND MAINTENANCE

1. Wash the cooking pot in warm and soapy water using a sponger or cloth and rise with water properly, then wipe dry with cloth. Do not clean with abrasive brushes to avoid damaging the non-stick coating.
2. Rice grains or other residues may stick on the heating plate. To ensure a proper contact with the cooking pot, rub the grains or residue away from the heating plate with sandpaper (No. 320), then wipe it with cloth again.

PRECAUTIONS

1. The power cord must be plugged into the wall outlet with earthing.
2. Always unplug when not in use or without cooking pot.
3. Do not place on a wet surface or its operation will be affected.
4. To avoid deformation, do not operate with hard objects, or heat the pot in another oven or stove. Do not use any other container instead of pot to cook.
5. Do not cover with a cloth. This may distort and discolor the lid.
6. The steam vent is very hot during cooking. Keep your face and hands away from the lid and the steam outlet.
7. To avoid electric shock, do not immerse cord, plug or appliance in water or other liquid, and do not spill liquids on electrical parts.
8. Replace the power cord with the manufacturer when it is damaged.

TROUBLESHOOTING

Operation of your appliance can lead to errors and malfunctions. The following tables contain possible causes and notes for resolving an error message or malfunction. It is recommended to read the table below carefully in order to save your time and money that may cost for calling to the service center.

Problems	Possible Reasons	Solutions
Heating plate doesn't heat	<ul style="list-style-type: none"> The circuit of the electric rice cooker is not connected with the power supply 	Check the switch, plug, socket and power cord, ensure the plug is tightly inserted into the socket
	<ul style="list-style-type: none"> The wire is loose Heating tube is broken down 	Repair by the designated repairing department
The cooking indicator is always on, indicating continuous cooking status	<ul style="list-style-type: none"> The light or resistance are loose The light or resistance have broken down 	<ul style="list-style-type: none"> Connect it. Replace it.
Rice is not well cooker, or the cooking time is too long	<ul style="list-style-type: none"> Cookin pot is deformed Heating plate is deformed The cooker pot is slanting to one side, other side is not touching the heating plate Foreign matter left between cooking pot and heating plate 	<ul style="list-style-type: none"> Repair the cooking pot until contact with the thermostat properly When it is a little deformed, polish the heating plate with fine sand paper Turn the cooking pot round slightly until it is fixed to the heating plate properly Polish the foreign matter with fine sand paper
The rice is burnt	<ul style="list-style-type: none"> The cooking button and lever mechanism is not flexible Magnetic steel temperature limiter is fault Not enough water added for cooking rice 	<ul style="list-style-type: none"> Repair by the designated repairing department Add an appropriate amount of water
The cooker can't automatically WARM	<ul style="list-style-type: none"> The wires of the insulation board is loose or the heating element of the insulation board is damaged 	Repair by the designated repairing department

SERVICE AND SUPPORT

1 YEAR LIMITED WARRANTY

This is the only express warranty for this product and is in lieu of any other warranty or condition. This product is warranted to be free from defects in material and workmanship for a period of one (1) year from the date of original purchase. During this period, your exclusive remedy is repair or replacement of this product or any component found to be defective, at our option; however, you are responsible for all costs associated with returning the product to us and our returning the product or component under this warranty to you. If the product or component is no longer available, we will replace with a similar one of equal or greater value.

This warranty does not cover wear from normal use, and operation doesn't conformity with the instruction manuals, or damages to the product resulting from accident, alteration, abuse, or misuse. This warranty extends only to the original consumer purchaser or gift recipient. Keep the original sales receipt, as proof of purchase is required to make a warranty claim. This warranty is void if products is used for other than single-family household use or subjected to any voltage and waveform other than as specified on the label.

We exclude all claims for special, incidental, and consequential damages by breach of express or implied warranty. All liability is limited to amount of the purchase price. Every implied warranty, including any statutory warranty or condition of merchant-ability or fitness for particular purpose, is disclaimed except to the extent prohibited by law, in which case such warranty or condition is limited to the duration of this written warranty.

This warranty gives you specific legal rights. You may have other legal rights that vary depending on where you live. Some states or provinces do not allow limitations on implied warranties or special, incidental consequential damages, so the foregoing limitations may not apply to you. Please note that failure to complete and submit this form does not diminish your warranty

SERVICE AND SUPPORT

In the Event of a warranty period claim, question, comments or if service is required for this product, please contact us at the following:

Customer Service Management Office:

Parsippany, NJ 07054

Toll Free: 1-866-646-4332

Amazon Store:

<https://www.amazon.com/comfee>

Tel: 866-646-4332

E-mail: officialservice@comfeeappliance.com

Made in China

comfee'
... is how i feel !