

**Comfee**

# ELECTRIC KETTLE

## USER MANUAL

CKT001/CKT002



**IMPORTANT NOTE:** For your safety and continued enjoyment of this product, always read the instruction Manual carefully before using.



# CONTENTS

IMPORTANT SAFEGUARDS .....	01
SPECIFICATIONS .....	02
PRODUCT OVERVIEW .....	03
OPERATION INSTRUCTIONS .....	03
CLEANING AND MAINTENANCE .....	04
TROUBLESHOOTING .....	05
SERVICE AND SUPPORT .....	06

# IMPORTANT SAFEGUARDS

When using electrical appliances, basic safety precautions should always be followed including the following:

Read all instructions.

## WARNING

- **DO NOT** operate any appliance with a damaged cord or plug or after the appliance malfunctions or has been damaged in any manner. Return appliance to the nearest authorized service facility for examination, repair, or adjustment.
- To protect against fire, electrical shock and injury to persons do not immerse cord, plugs, or other live parts in water or other liquid.
- **DO NOT** touch hot surfaces. Use handles or knobs.
- Scalding may occur if the lid is removed during the brewing cycles.
- **DO NOT** use outdoor. Household use only.
- Close supervision is necessary when any appliance is used by or near children.
- **DO NOT** use appliance for other than intended use.
- Unplug from outlet when not in use and before cleaning.  
Allow to cool before putting on or taking off parts, and before cleaning the appliance.
- The use of accessory attachments not recommended by the appliance manufacturer may cause injuries.
- **DO NOT** let cord hang over edge of table or counter, or touch hot surfaces.
- **DO NOT** place on or near a hot gas or electric burner, or in a heated oven.
- Always attach plug to appliance first, then plug cord "off", then remove plug from wall outlet. To disconnect, turn any control to "off", then remove plug from wall outlet.
- A short power-supply cord is provided to reduce the risk resulting from becoming entangled in or tripping over a longer cord.
- Longer detachable power-supply cords or extension cords are available and maybe used if care is exercised in their use.
- If a longer detachable power-supply cord or extension cord is used:
  - The marked electrical rating of the cord set or extension cord should be at least as great as the electrical rating of the appliance;

- If the appliance is of the grounded type, the cord set or extension cord should be a grounding-type 3-wire cord.
- The longer cord should be arranged so that it will not drape over the counter top or table top where it can pulled on by children or tripped over.
- This appliance has a polarized plug (one blade is wider than the other). To reduce the risk of electric shock, this plug is intended to fit in to a polarized outlet only one way. If the plug does not fit fully into the outlet, reverse the plug. If it still does not fit, contact a qualified electrician. Do not attempt to modify the plug in any way.

## SAVE THESE INSTRUCTIONS

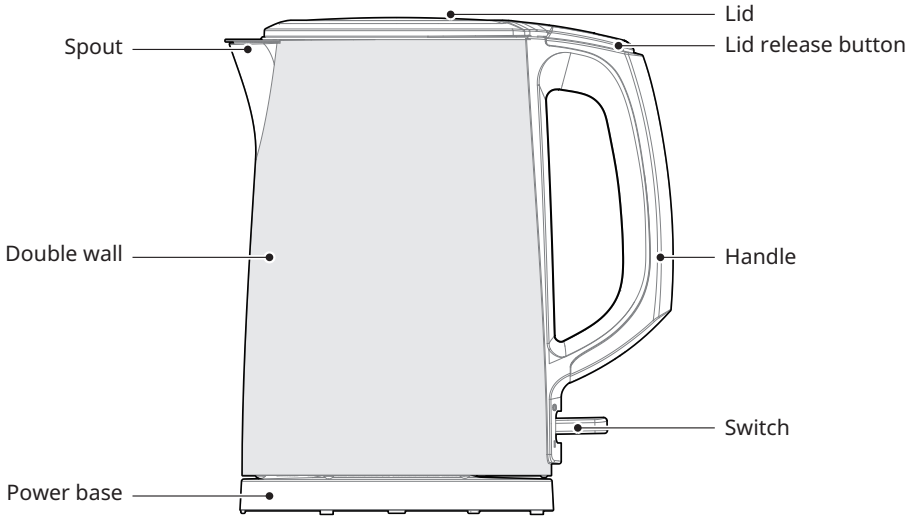
## SPECIFICATIONS

Product Model	CKT001/CKT002
Rated Voltage	120V~60Hz
Rated Power	1500W
Capacity	1.5L

---

# PRODUCT OVERVIEW

## Names Of Main Parts



### NOTE

All the pictures in this manual are for explanation purpose only. Any discrepancy between the real object and the illustration in the drawing shall be subject to the real subject.

# OPERATION INSTRUCTIONS

## How To Use

For the first time to use or no use for a long time, it is recommended that you fill to the maximum level mark with fresh tap water, boil and empty the kettle at least 2 times to clear kettle of any tiny particles. DO NOT drink initial boiled water.

1. Press the lid lock on the handle, and you can open it.
2. Remove the kettle from the base to the filling place. Fill the kettle with desired amount (no less than the minimum and no more than the maximum.) Put back the lid; place the kettle back on the base unit.

3. Connect the plug into a power outlet (120V,AC), switch the kettle on by pressing down the switch. The light will illuminate to indicate the kettle is heating.
4. The kettle will automatically switch off once the water has boiled and the neon light goes off.
5. Lift the kettle from the base, and you can pour out the water into container.

## CLEANING AND MAINTENANCE

### ● NOTE

- To prolong the kettle's life, please clean the mineral deposits in the kettle regularly.
  - Always unplug from the plug socket and allow to cool down before cleaning.
  - DO NOT use chemical, steel wool, or abrasive cleaners to clean the outside of the kettle, as these will scratch the surface and fade the outside color.
1. Fill the kettle with 0.5L white vinegar and the remainder with water and allow to stand for over 1 hours;
  2. Empty the solution from the kettle. Wipe off the deposits remained with damp cloth.
  3. Fill the kettle with clean water, bring to boil and then discard the water. Repeat and the kettle will be ready to use;
  4. If necessary, repeat the operations above for several times;
  5. DO NOT immerse into water. The surface of the kettle may be wiped over with a damp cloth and polished with a soft dry cloth.

# TROUBLESHOOTING

Operation of your appliance can lead to errors and malfunctions. The following tables contain possible causes and notes for resolving an error message or malfunction. It is recommended to read the tables carefully below in order to save your time and money that may cost for calling to the service center.

<b>Problem</b>	<b>Possible Cause</b>	<b>Solution</b>
The machine does not work properly after installed.	• The power cable is not plugged in or has poor contact.	• Make sure the plug is properly inserted into the socket.
	• The switch on the body is not turned on.	• Turn on the switch on the body.



Any other servicing should be performed by an authorized service representative.



# SERVICE AND SUPPORT

## 1 YEAR LIMITED WARRANTY

This is the only express warranty for this product and is in lieu of any other warranty or condition. This product is warranted to be free from defects in material and workmanship for a one (1) year from the date of delivery. During this period, your exclusive remedy is repair or replacement of this product or any component found to be defective, at our option;

however, you are responsible for all costs associated with returning the product to us and our returning the product or component under this warranty to you. If the product or component is no longer available, we will replace with a similar one of equal or greater value.

This warranty does not cover wear from normal use, and operation doesn't conform to the instruction manuals, or damages to the product resulting from accident, alteration, abuse, or misuse. This warranty extends only to the original consumer purchaser or gift recipient. Keep the original sales receipt, as proof of purchase is required to make a warranty claim.

This warranty is void if products is used for other than single family household use or subjected to any voltage and wave for mother than as specified on the label.

We exclude all claims for special, incidental, and consequential damages by breach of express or implied warranty. All liability is limited to amount of the purchase price. Every implied warranty, including any statutory warranty or condition of merchant-ability or fitness for particular purpose, is disclaimed except to the extent prohibited by law, in which case such warranty or condition is limited to the duration of this written warranty.

This warranty gives you specific legal rights. You may have other legal rights that vary depending on where you live. Some states or provinces do not allow limitations on implied warranties or special, incidental consequential damages, so the foregoing limitations may not apply to you. Please note that failure to complete and submit this form does not diminish your warranty.

In the Event of a warranty period claim, question, comments or if service is required for this product, please contact us at the following:

Parsippany, NJ 07054

Toll Free: 1-866-646-4332

Amazon Store:

<https://www.amazon.com/comfee>

Tel: 866-646-4332

E-mail: [officialservice@comfeeappliance.com](mailto:officialservice@comfeeappliance.com)

Made in China



**comfee'**  
*... is how i feel !*