

**comfee**<sup>®</sup>  
*...is how I cook!*



CEKG003

# 1.7L Electric Kettle

## Instruction Manual



**IMPORTANT NOTE:** For your safety and continued enjoyment of this product, always read the instruction Manual carefully before using.

## **CONTENT**

|                           |   |
|---------------------------|---|
| IMPORTANT SAFEGUARDS..... | 1 |
| BRIEF INTRODUCTION.....   | 5 |
| PARTS AND FEATURES.....   | 5 |
| HOW TO USE.....           | 6 |
| CLEANING.....             | 6 |
| SPECIFICATIONS.....       | 7 |



## IMPORTANT SAFEGUARDS

**When using electrical appliances, basic safety precautions should always be followed, including the following:**

- Read carefully and save all the instructions.
- For additional protection, we recommend the use of a power outlet with a rated current of at least 10A. To avoid circuit overload, do not operate another high wattage appliance on the same circuit.
- Do not fill kettle when positioned on base. Dry the water on the bottom of the body before place it onto power base.
- Never leave the appliance unattended when in use.
- Close supervision is necessary when your appliance is being used near children or infirm persons.
- Electric kettle must be operated on a flat surface. Do not place this appliance on or near a hot gas or electric burner or on the top of other electric appliances.
- **The external surface can be hot, only use the handle.**
- Be aware of steam being emitted from spout or lid especially during refilling.
- Do not open lid during boiling cycle.
- Do not use the kettle to heat anything other than water. Do not fill above the "MAX" indication. Do not operate kettle if water is below "MIN" indication.

## IMPORTANT SAFEGUARDS

- Do not let the power cord hang over the edge of the table or touch hot surfaces. Always store the excess portion of the power cord in the compartment of the power base.
- Do not immerse any part of the appliance in water or other liquids. Do not use your appliance with an extension cord. Always use your appliance from a power outlet of the voltage (AC. only) marked on the appliance.
- Do not operate any appliance with a damaged cord or plug or after the appliance malfunctions, or has been damaged in any manner. Return appliance to the nearest authorized service facility for examination, repair or adjustment.  
NOTE: If the kettle is overfilled, boiling water may be ejected. The kettle is only to be used with the stand provided.  
WARNING: Do not switch on if there is a possibility that the water in the heater is frozen.
- Always unplug from the power outlet when in the following conditions: no water in kettle, filling water, not in use, before cleaning, or before moving.
- Call our free customer assistance number for information or return to Midea Customer Service Department for examination and repair. Never repair the appliance by yourself.

## IMPORTANT SAFEGUARDS

**WARNING:** To reduce the risk of fire or electric shock, do not remove the bottom cover of the kettle body or the power base by yourself.

- Do not use a power base other than the one supplied. The use of accessory attachments not recommended by the manufacturer may result in fire, electrical shock or personal injury.
- Do not insert any object into slots or holes of the kettle.
- This appliance is for household use only. Do not use outdoors.
- Close supervision is necessary when any appliance is used by or near children. Children should be supervised to ensure that they do not play with the appliance. Always keep this kettle and its components out of reach from children.
- **WARNING:** Do not open the lid while the water is boiling.
- **CAUTION:** Position the lid so that steam is directed away from the handle.
- **CAUTION:** Ensure that the appliance is switched off before removing it from the power base.
- **CAUTION:** Be careful and avoid water spillage on power base and cord.
- Incorrect use of this appliance may cause serious burns and caution shall be used around the appliance.

## IMPORTANT SAFEGUARDS

- Do not try to access the inside of the kettle's container. There may be residual heat long after use.
- Appliances can be used by persons with reduced physical, sensory or mental capabilities or lack of experience and knowledge if they have been given supervision or instruction concerning use of the appliance in a safe way and understand the hazards involved.
- DO NOT allow children to use or play with this appliance.
  - a) A short power-supply cord is provided to reduce risks resulting from becoming entangled in or tripping over a longer cord.
  - b) Longer extension cords are available and may be used if care is exercised in their use.
  - c) If a long extension cord is used:
    - 1) The marked electrical rating of the extension cord should be at least as great as the electrical rating of the appliance;
    - 2) The longer cord should be arranged so that it will not drape over the counter top or table top where it can be pulled on by children or tripped over.
- This appliance has a polarized plug (one blade is wider than the other). To reduce the risk of electric shock, this plug is intended to fit into a polarized outlet only one way. If the plug does not fit fully into the outlet, reverse the plug. If it still does not fit, contact a qualified electrician. Do not attempt to modify the plug in any way.

## **IMPORTANT SAFEGUARDS**

---

- To disconnect, turn control to "OFF", then remove plug from power outlet.
- Scalding may occur if the lid is opened during the heating cycles.

## **SAVE THESE INSTRUCTIONS**

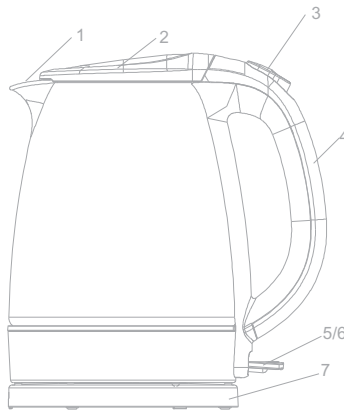
## **PARTS AND FEATURES**

---

This premium design, brings convenience and enjoyment to your life.

- Rapid boiling saves you time and energy.
- Steam control to switch the kettle off after boiling.
- Automatic shut-off for boil-dry protection.
- High quality and accurate thermostat.
- 360° rotational power base.

- 1.Spout
- 2.Lid
- 3.Lid opening button
- 4.Handle
- 5.Pilot light
- 6.Power switch
- 7.Power base



## **HOW TO USE**

---

For first time use, or first use in a long time, it is recommended that you fill to the "MAX" indication with fresh tap water, boil and empty the kettle at least 2 times to clear kettle of any tiny particles. Do not drink this water.

- Press the lid opening button to open the lid.
- Remove the kettle from the power base and go to the water filling location. Fill the kettle with desired amount (no less than the "MIN" indication and no more than the "MAX" indication). Close the lid and place the kettle back onto the power base.
- Connect the plug into a power outlet (120V, AC), and press the power switch down to activate the kettle's heating. The pilot light will illuminate to indicate the kettle is heating.
- The kettle will automatically switch off once the water has boiled and the pilot light goes off.
- Lift the kettle from the power base, and pour the water into a container.

## **CLEANING AND MAINTENANCE**

---

- To prolong the kettle's life, please clean the mineral deposits in the kettle regularly.
- Always unplug from the power outlet and allow to cool down before cleaning.
- Do not use chemical, steel wool, or abrasive cleaners to clean the outside of the kettle, as these will scratch the surface.
- Fill the kettle with 0.5L of white vinegar and the remainder with water and allow to stand for over 1 hour;
- Empty the solution from the kettle. Wipe off the remaining deposits with a damp cloth;
- Fill the kettle with clean water, bring to boil and then discard the water. Repeat and the kettle will be ready to use;
- If necessary, repeat the operations above several times;
- Do not immerse into water. The surface of the kettle may be wiped over with a damp cloth and polished with a soft dry cloth.
- Any other servicing should be performed by an authorized service representative.



**DISPOSAL:**

Do not dispose this product as unsorted municipal waste. Collection of such waste separately for special treatment is necessary.

This product must not be disposed together with the domestic waste.

This product has to be disposed at an authorized place for recycling of electrical and electronic appliances. By collecting and recycling waste, you help save natural resources, and make sure the product is disposed in an environmentally friendly and healthy way.

**SPECIFICATIONS**

Product : ELECTRIC KETTLE

Model : CEKG003

Rated voltage : 120V~

Rated frequency : 60Hz

Rated power : 1500W

## SERVICE AND SUPPORT

### **1 YEAR LIMITED WARRANTY**

This is the only express warranty for this product and is in lieu of any other warranty or condition. This product is warranted to be free from defects in material and workmanship for a period of one (1) year from the date of original purchase. During this period, your exclusive remedy is repair or replacement of this product or any component found to be defective, at our option; however, you are responsible for all costs associated with returning the product to us and our returning the product or component under this warranty to you. If the product or component is no longer available, we will replace with a similar one of equal or greater value.

This warranty does not cover wear from normal use, and operation doesn't conformity with the instruction manuals, or damages to the product resulting from accident, alteration, abuse, or misuse. This warranty extends only to the original consumer purchaser or gift recipient. Keep the original sales receipt, as proof of purchase is required to make a warranty claim. This warranty is void if products is used for other than single-family household use or subjected to any voltage and waveform other than as specified on the label.

We exclude all claims for special, incidental, and consequential damages by breach of express or implied warranty. All liability is limited to amount of the purchase price. Every implied warranty, including any statutory warranty or condition of merchant-ability or fitness for particular purpose, is disclaimed except to the extent prohibited by law, in which case such warranty or condition is limited to the duration of this written warranty.

This warranty gives you specific legal rights. You may have other legal rights that vary depending on where you live. Some states or provinces do not allow limitations on implied warranties or special, incidental consequential damages, so the foregoing limitations may not apply to you. Please note that failure to complete and submit this form does not diminish your warranty



In the Event of a warranty period claim, question, comments or if service is required for this product, please contact us at the following:

Customer Service Management Office:  
Parsippany, NJ 07054  
Toll Free: 1-866-646-4332

Amazon Store:

<https://www.amazon.com/comfee>

Tel: 866-646-4332

E-mail: [officialservice@comfeeappliance.com](mailto:officialservice@comfeeappliance.com)

Made in China